



DWP 10

English

1 Information about the documentation

1.1 About this documentation

- Read this documentation before initial operation or use. This is a prerequisite for safe, trouble-free handling and use of the product.
- Observe the safety instructions and warnings in this documentation and on the product.
- Always keep the operating instructions with the product and make sure that the operating instructions are with the product when it is given to other persons.

1.2 Symbols

Symbols in this documentation

	Read the operating instructions before use.
	Instructions for use and other useful information
	Dealing with recyclable materials

Symbols on the product

	Read the operating instructions
	Maximum operating pressure
	Filling quantity
	CE test number

1.3 Product information

HILTI products are designed for professional users and only trained, authorized personnel are permitted to operate, service and maintain the products. This personnel must be specifically informed about the possible hazards. The product and its ancillary equipment can present hazards if used incorrectly by untrained personnel or if used not in accordance with the intended use.

The type designation and serial number are printed on the rating plate.

- ▶ Write down the serial number in the table below. You will be required to state the product details when contacting Hilti Service or your local Hilti organization to inquire about the product.

Product information

Water supply unit	DWP 10
Generation:	01
Serial number:	

2 Safety

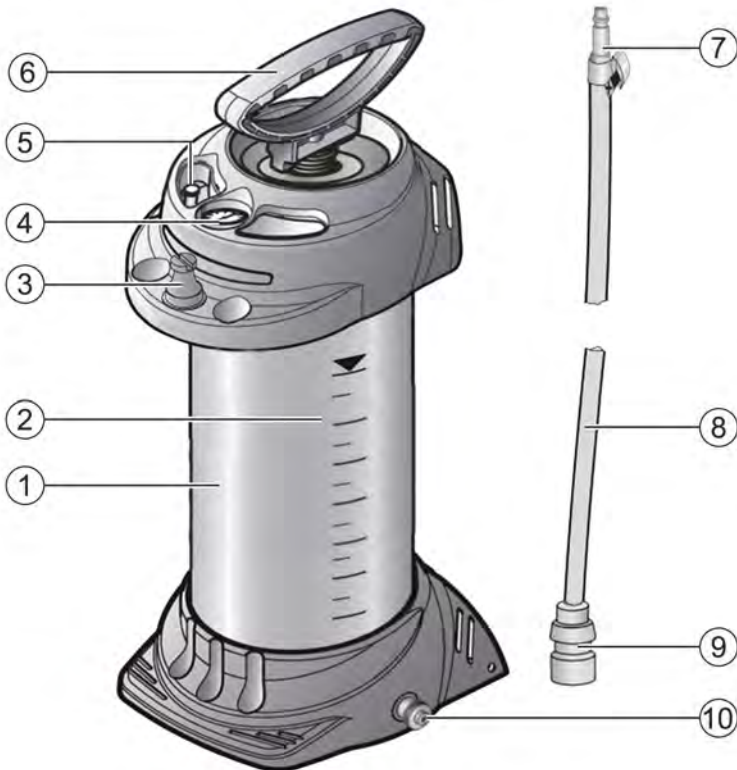
2.1 Safety instructions

- ▶ Never tamper with or modify the product in any way.
- ▶ Never tamper with or modify the safety valve in any way.
- ▶ Children and minors may not use this product.
- ▶ Never fill hydrogen peroxide or other oxygen emitting media.
 - ◀ On contact with materials of the water pressure tank, explosive pressure increases are possible.
- ▶ Check to ensure that the water supply unit does not exceed the maximum operating temperature.
 - ◀ If it exceeds the maximum operating temperature, explosive pressure increases are possible.
- ▶ Watch the pressure gage at all times during pumping in order not to exceed the max. operating pressure.
- ▶ Empty the tank daily after use.
 - ◀ Never leave residues in the tank.

► Store the product in a dry place where it cannot be accessed by children or unauthorized persons.

3 Description

3.1 Product overview



- | | |
|----------------------------|---------------------------------------|
| ① Tank | ⑥ Pump |
| ② Filling quantity display | ⑦ Hose plug-in nipple with ball valve |
| ③ Locating pin | ⑧ Hose |
| ④ Pressure gage | ⑨ Hose plug-in nipple |
| ⑤ Safety valve | ⑩ Drain opening |

3.2 Intended use

The product described here is a water pressure tank for distributing coolants and flushing liquids on drilling rigs, concrete saws or angle grinders. Water is generally used for this purpose.

3.3 Possible misuse

This product is not suitable for:

- Flammable liquids
- Hydrogen peroxide and similar oxygen emitting media
- Caustic substances (certain disinfectants and impregnating agents, acids, alkaline solutions)
- Liquids containing ammonia

- Solvents and liquids containing solvents
- Viscous or sticky liquids or those that form residues (paints, grease)
- Use in food sector

This product may not be used under any circumstances:

- With external pressure sources
- For warehousing and storage of liquids
- As an eye wash

3.4 Items supplied

Tank with pump, hose with connectors, instructions for use.

Other system products approved for use with this product can be found at your local **Hilti Store** or at: www.hilti.group | USA: www.hilti.com

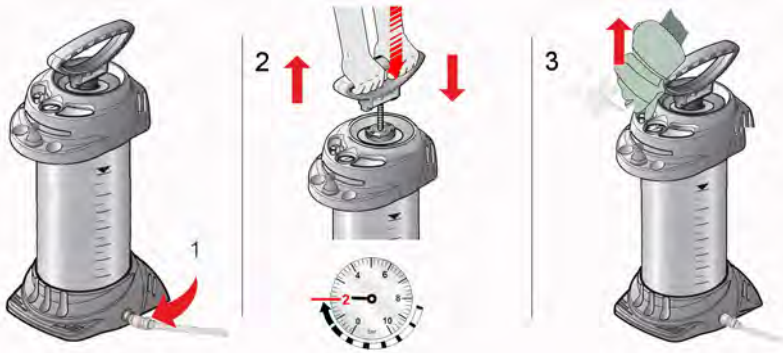
4 Technical data

The tank material consists of steel with a polyester coating.

Tare weight	5.2 kg
Total content	13 ℓ
Maximum filling quantity	10 ℓ
Technical residual quantity	0.03 ℓ
Maximum operating pressure	6 bar
Maximum operating temperature	40 °C

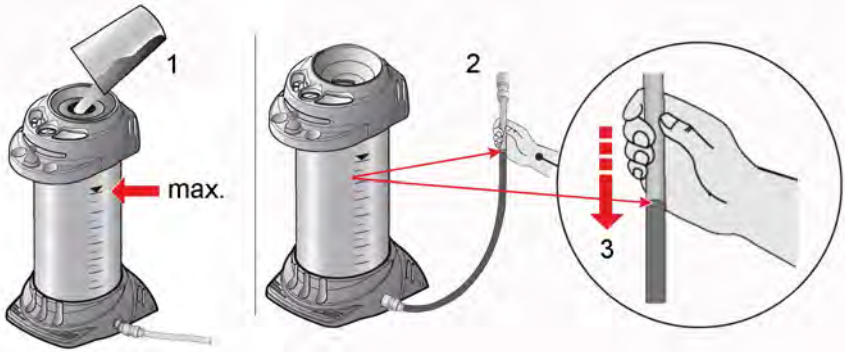
5 Preparations at the workplace

5.1 Assembling water supply unit



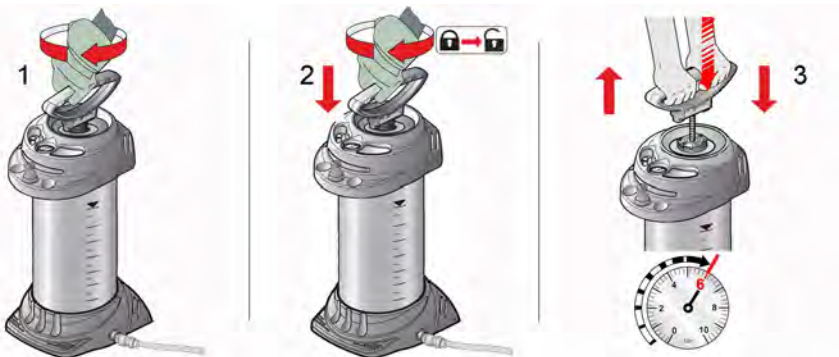
1. Check whether the tank, pump and hose are undamaged before assembly.
2. Connect the hose on the drain opening [1].
3. Pump up the empty water supply unit to 2 bar [2].
 - ◁ The pressure must not drop by more than 0.5 bar within 30 minutes!
4. Pull the red button of the safety valve for checking [3].
 - ◁ The pressure must be released.

5.2 Fill water supply unit



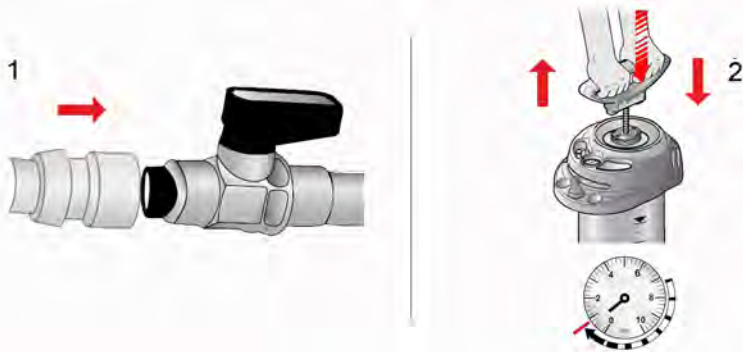
1. Fill the water into the tank [1].
2. Check the fill level on the hose [2].
3. Route the transparent hose several times on the tank from top to bottom [3].
 - ◀ The liquid level in the hose and tank are equalized. The liquid level visible in the hose then matches the filling level in the tank, which you can read off on the scale.

5.3 Preparing water supply unit



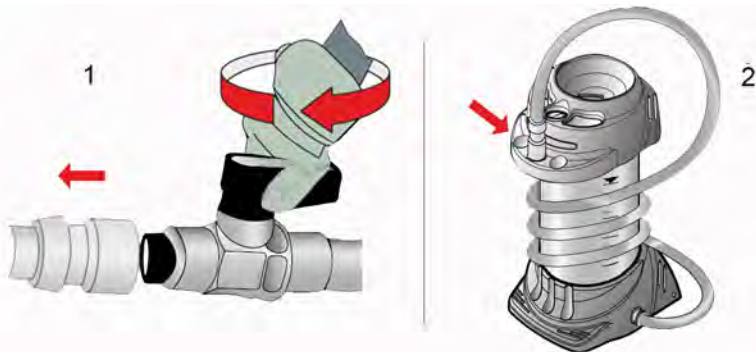
1. Screw the pump into the tank [1].
2. Press the pump handle downward and turn it clockwise [2].
 - ◀ The pump handle has been released.
3. Generate a pressure of approx. 2 bar in the tank [3].
 - ◀ The maximum pressure should not exceed 6 bar (red line on the pressure gage). If the maximum pressure is exceeded, the safety valve is actuated and releases the excess pressure.
4. Press the pump handle downward and turn it counterclockwise.
 - ◀ The pump handle is locked.

6 Use



1. Connect the plug-in connector of the water pressure tank with the plug-in nipple [1].
2. Actuate the ball valve.
 - ◀ The liquid supply begins.
 - ◀ The liquid quantity can be regulated with the ball valve.
3. Continue pumping if the pressure drops below 1 bar [2].
4. When the tank is empty, refill it.

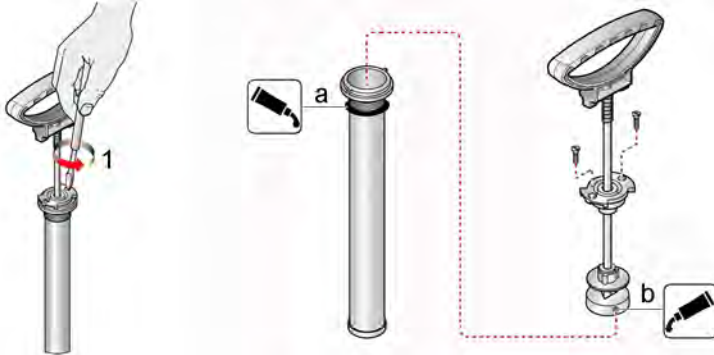
7 After use



1. Pull up the red button of the safety valve until the tank is completely depressurized.
2. Close the ball valve and disconnect the plug-in connection and plug-in nipple [1].
3. Lock the pump handle.
4. Screw the pump out of the tank.
5. Drain the remaining water from the tank.
6. Wipe off the water supply unit with a damp cloth.
7. Coil the hose around the tank and mount the plug-in connection on the locating pin of the water supply unit [2].
8. Keep the water supply unit in a dry, frost-free environment protected from direct sunlight for drying and storage.

8 Care and maintenance

8.1 Care and maintenance work



1. Check the unit at regular intervals.
 - ◀ We recommend having an expert conduct an external inspection every 2 years and an internal inspection every 5 years, as well as a strength test every 10 years
2. Dismantle the pump [1] and grease the O-ring [a] and the sleeve [b].
3. Always carry out this maintenance after using the unit 50 times, however at least once a year!



To help ensure safe and reliable operation, use only genuine Hilti spare parts and consumables. Spare parts, consumables and accessories approved by Hilti for use with the product can be found at your local **Hilti Store** or online at: www.hilti.group.

9 Troubleshooting

If the trouble you are experiencing is not listed in this table or you are unable to remedy the problem by yourself, please contact **Hilti Service**.

9.1 Troubleshooting table

Trouble or fault	Possible cause	Action to be taken
The water supply unit does not build up any pressure	Pump is not screwed on tightly	▶ Screw on the pump tightly.
	O-ring on the pump is defective	▶ Have the power tool repaired by Hilti Service .
	Sleeve is defective	▶ Have the power tool repaired by Hilti Service .
Liquid escapes from the pump at the top	Valve disk is dirty or defective	▶ Clean the valve disk or have the unit repaired by Hilti Service .
Safety valve vents too early	Safety valve is defective	▶ Have the tool repaired by Hilti Service .
Pressure gage indicates no tank pressure	Pressure gage is defective	▶ Have the power tool repaired by Hilti Service .

10 Disposal

Do not dispose of this product in household waste!

Most of the materials from which **Hilti** tools, appliances and devices are manufactured can be recycled. The materials must be correctly separated before they can be recycled. In many countries, your old tools, machines or appliances can be returned to **Hilti** for recycling. Ask **Hilti Service** or your Hilti sales representative for further information.

11 Manufacturer's information

The products HILTI DWP10 of the series 3585 meet the requirements of the Pressure Equipment Directive 2014/68/EU and bear the CE marking.

Please contact your local **Hilti** representative if you have questions about the warranty conditions.



Hilti Corporation
LI-9494 Schaan
Tel.: +423 234 21 11
Fax: +423 234 29 65
www.hilti.group



2164701



Hilti Connect